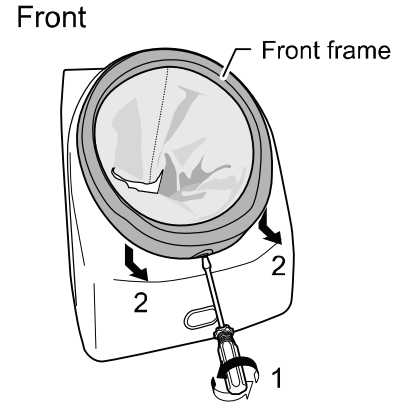


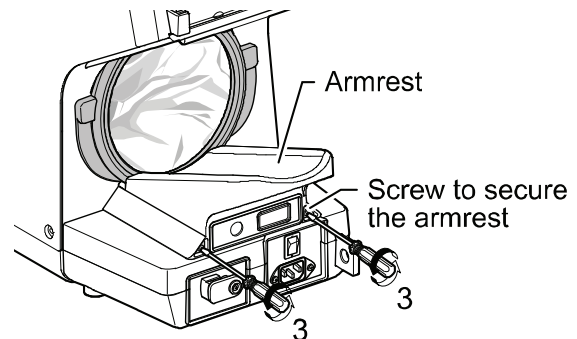
Replacing the arm cuff cover on the TM-2657P

1. Use a flathead screwdriver to loosen the screw.
2. Slide the front frame down, and then pull forward.



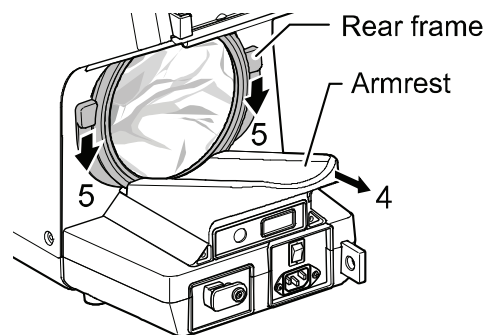
3. Loosen the screws (armrest securing screws) on the rear side and remove the screws.

Rear



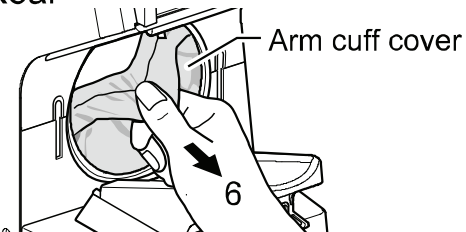
4. Lift the armrest and pull back.
5. Slide the rear frame down, then pull out.

Rear



6. Pull the arm cuff cover out from the vinyl ring groove to remove.

Rear



7. Insert the new arm cuff cover and push the vinyl ring into the groove (on the inner side of the frame) to attach.

Rear

